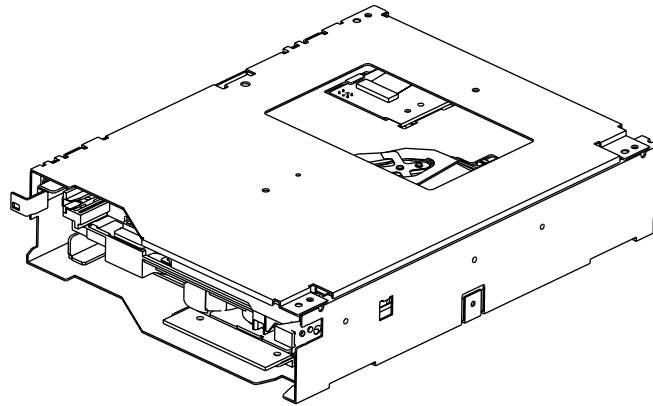


JVC®

SERVICE MANUAL

DVD-RAM/R DRIVE

MC-R434U



This unit is the DVD-RAM/R drive designed specially for use with the JVC MC-9000 series CD/DVD Library.

SPECIFICATIONS

- Interface
 - Ultra 2 SCSI (80 Mbytes/s)
 - Data transmission rate
 - Sustained (when the maximum sync transfer rate of the host adapter is set to 80 Mbytes/s)
 - DVD-RAM 4.15 Mbytes/s (3X max.)
 - (Single-sided 4.7 GB or double-sided 9.4 GB)
 - DVD-RAM 1.38 Mbytes/s (1X)
 - (Single side 2.6 GB, read only)
 - DVD-R 5.44 Mbytes/s (4X max.) (write)
 - (Single-sided 4.7 GB or double-sided 9.4 GB)
 - DVD-R 8.31 Mbytes/s (6X max.) (read)
 - (Single-sided 4.7 GB or double-sided 9.4 GB)
 - DVD-ROM 16 Mbytes/s
 - (Single Layer, 12X max.: CAV)
 - CD-ROM 1.5 Mbytes/s to 4.8 Mbytes/s
 - (32X max.: CAV)
 - CD-R Max. 1.8 Mbytes/s (write)
 - (12X max.)
 - CD-RW Max. 1.2 Mbytes/s (write)
 - (8X max.)
 - Burst(when the maximum sync transfer rate of the host adapter is set to 80 Mbytes/s)
 - Max. 80 Mbytes/s (sync transfer)
 - Average access time (1/3 stroke)
 - DVD-R (4.7 GB for General) : 145 ms
 - DVD-ROM (Single Layer) : 130 ms
 - DVD-RAM (4.7 GB) : 185 ms
 - DVD-RAM (2.6 GB) : 195 ms
 - CD-ROM : 150 ms

* The above values were measured using JVC's measurement methods.
 - Buffer capacity 2 Mbytes
 - Additional write count (DVD-R for General, 4.7 GB)
 - 500 times typical (when a disc and a drive are combined)
 - 15 times typical (when a disc and multiple drives are combined)
 - Dimensions 171 mm(W) x 47.5 mm(H) x 240 mm(D)
 - Weight 1.5 kg
 - Accessories
 - Drive locking screw x 2
 - Applicable discs
 - DVD-R 4.7 GB (Ver. 2.0 for General Use)
 - Recommended discs: Single-sided 4.7 GB
 - Matsushita Electric Corp.
 - Mitsubishi Kagaku Media Corp.
 - Hitachi Maxell Ltd.
 - TDK Corp.
 - Taiyo Yuden Co., Ltd.
 - Recommended discs: Double-sided 9.4 GB
 - Mitsubishi Kagaku Media Corp.
 - Hitachi Maxell Ltd.
 - DVD-R 3.95 GB (Ver. 1.0, Disc-at-once, read only)
 - DVD-ROM
 - DVD-RAM (Ver. 2.1, single-sided 4.7 GB, double-sided 9.4 GB)
 - Matsushita Electric Corp.
 - Hitachi Maxell Ltd.
 - DVD-RAM (Ver. 1.0, single-sided 2.6 GB, read only)
 - CD-ROM (Mode-1, Mode-2, etc.)
 - CD-R
 - Ricoh Company Ltd.
 - Mitsubishi Kagaku Media Corp.
 - Hitachi Maxell Ltd.
 - TDK Corp.
 - Taiyo Yuden Co., Ltd.
 - Mitsui Chemicals, Inc.
 - CD-RW
 - Ricoh Company Ltd.
 - Mitsubishi Kagaku Media Corp.
- Design and specifications are subject to change without notice.

* Note 1 : It is recommended to write and read the DVD-R, DVD-RAM, CD-R and CD-RW discs using the drives of the same model. If drives of different models are used in write and read, discs of certain manufacturers or production lots may not manifest the full performance.

* Note 2 : Only discs with a diameter of 120 mm are applicable.

* Note 3 : Use DVD-R, CD-R and CD-RW discs that match the optimal writing speed. However, even if the appropriate discs are used, an adequate performance may not be achieved depending on the disc manufacturer or production lot compatibility.

Removing a disc that remains in the drive

■ Operational Precautions

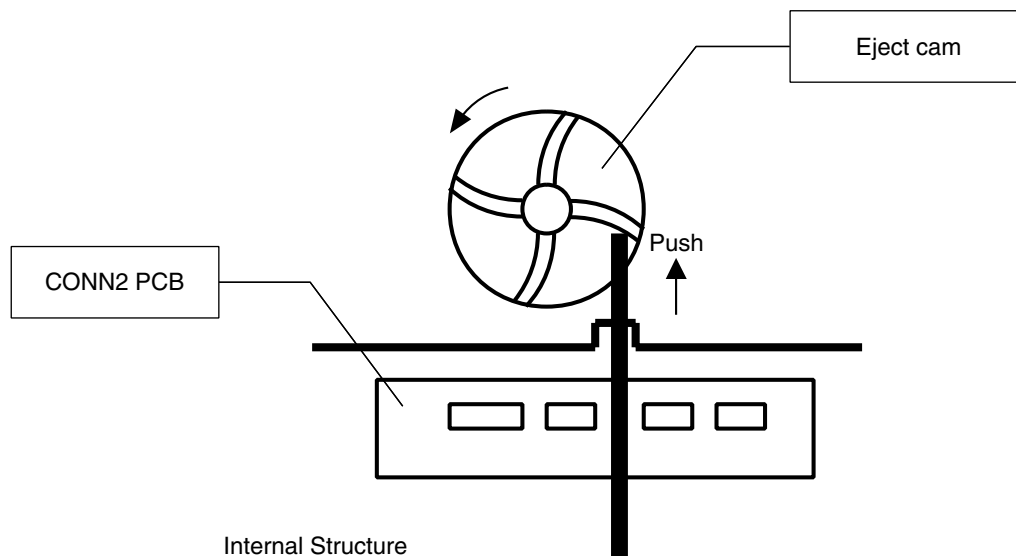
1. To avoid electric shock, be sure to turn the power off before proceeding to the following operation.
2. When taking out the disc, take care not to leave fingerprints or scratches on the recording surface of the disc.

■ Operation procedure

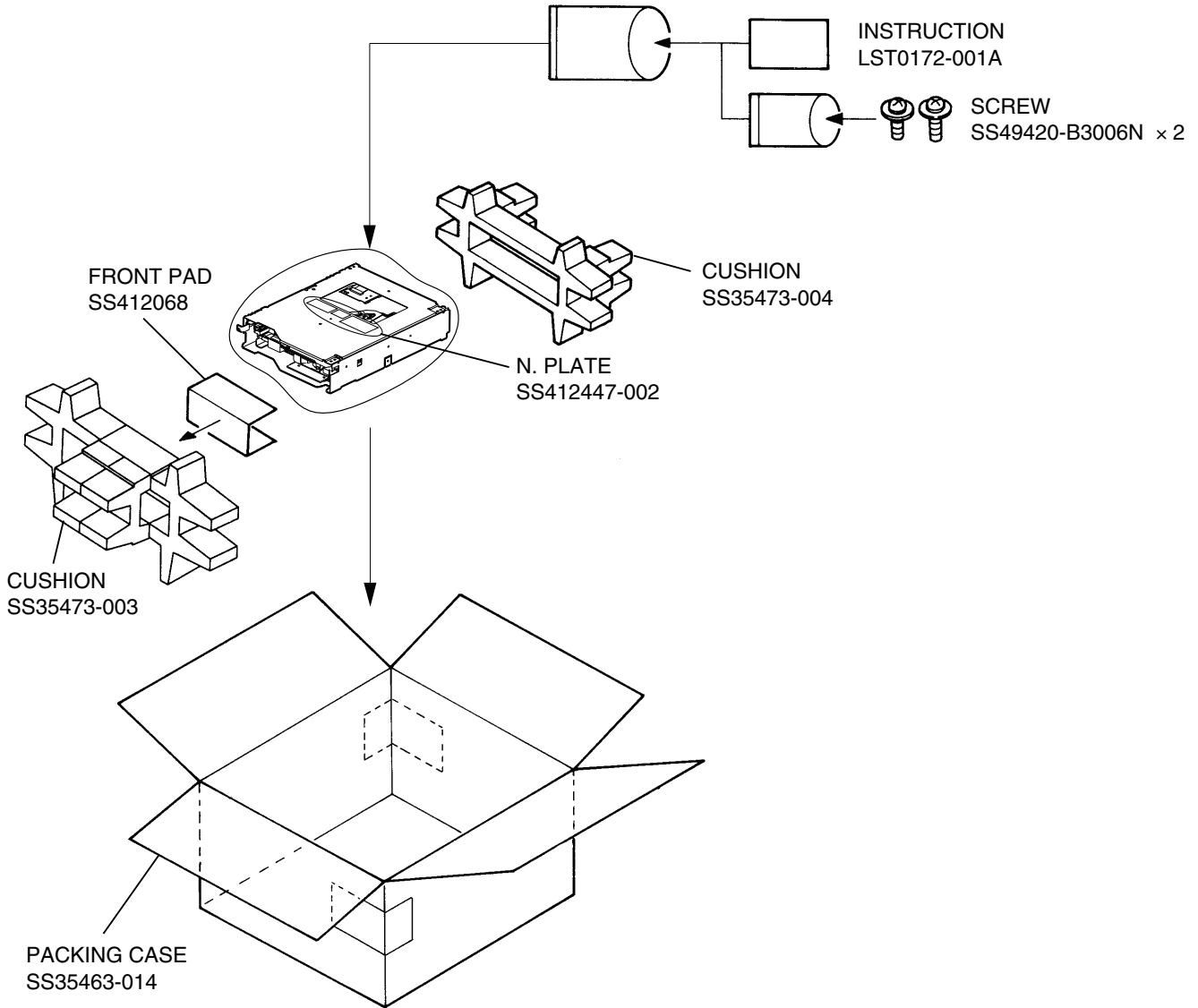
1. Insert a thin stick with a diameter of about 1 mm into the rectangular hole on the front of the drive and push it in to rotate the eject cam.



Continue pushing the stick in to rotate the eject cam until the tray comes out.



PACKING



JVC®

VICTOR COMPANY OF JAPAN, LIMITED

JVC® is a registered Trademark owned by VICTOR COMPANY OF JAPAN, LTD.

JVC® is a registered Trademark in Japan, the U.S.A., the U.K. and many other countries.